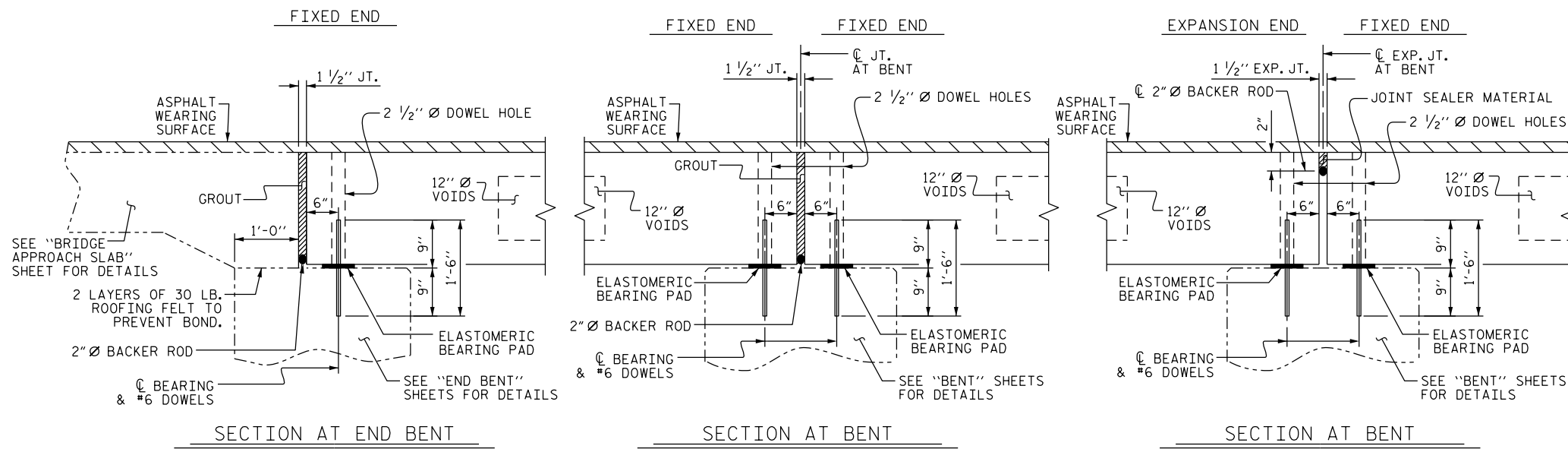


PART PLAN-EXTERIOR SECTION

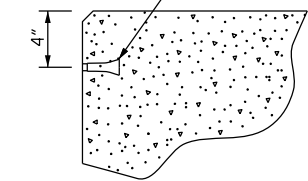
NOTE: EXTERIOR SECTION SHOWN-INTERIOR SECTION SIMILAR EXCEPT OMIT S3 BARS.

TYPICAL SECTION

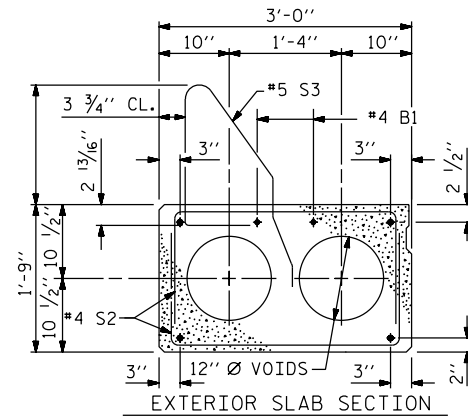


GROUTED RECESS AT END OF POST-TENSIONED STRAND-CORED SLABS

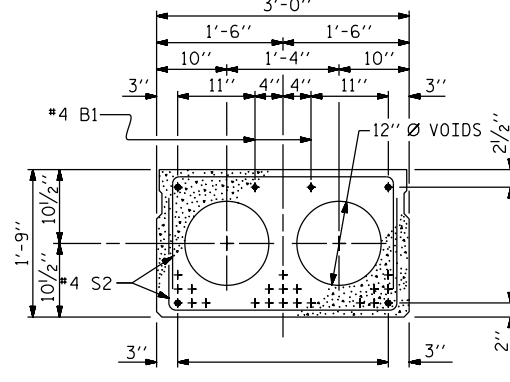
PERMITTED THREADED INSERT CAST IN OUTSIDE FACE OF EXTERIOR UNIT AND RECESSED 3/8" SIZE TO BE DETERMINED BY CONTRACTOR.



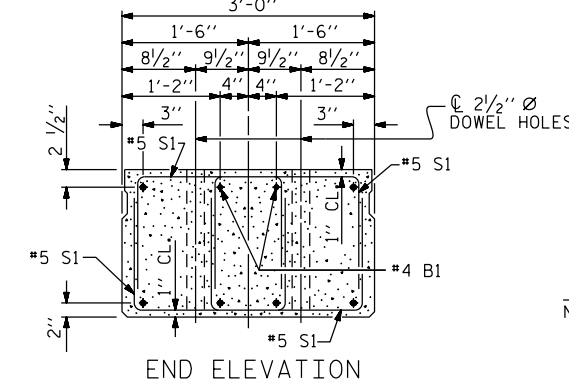
THREADED INSERT DETAIL



EXTERIOR SLAB SECTION (FOR PRESTRESSED STRAND LAYOUT, SEE INTERIOR SLAB SECTION.)

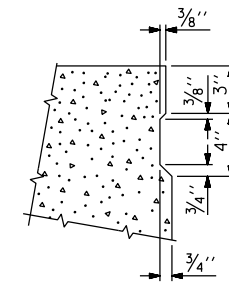


INTERIOR SLAB SECTION 0.6" Ø LOW RELAXATION STRAND LAYOUT



END ELEVATION

SHOWING PLACEMENT OF DOUBLE STIRRUPS AND LOCATION OF DOWEL HOLES. (STRAND LAYOUT NOT SHOWN.) INTERIOR SLAB SECTION SHOWN-EXTERIOR SLAB SECTION SIMILAR EXCEPT SHEAR KEY LOCATION.



SHEAR KEY DETAIL

NOTE: OMIT SHEAR KEY ON OUTSIDE FACE OF EXTERIOR CORED SLABS.

PROJECT NO. \_\_\_\_\_

\_\_\_\_\_ COUNTY

STATION: \_\_\_\_\_

SHEET 1 OF 2

STATE OF NORTH CAROLINA  
DEPARTMENT OF TRANSPORTATION  
RALEIGH  
STANDARD  
3'-0" X 1'-9"  
PRESTRESSED CONCRETE  
CORED SLAB UNIT

ASSEMBLED BY :	DATE :	TLA/GM
CHECKED BY :	DATE :	MAA/GM
DRAWN BY : WJH 4/89	REV. 5/1/06R	RWW/TMG
CHECKED BY : FCJ 5/89	REV. 10/1/11	
	REV. 1/15	

DOCUMENT NOT CONSIDERED FINAL UNLESS ALL SIGNATURES COMPLETED

REVISIONS						SHEET NO.
NO.	BY:	DATE:	NO.	BY:	DATE:	TOTAL SHEETS
1			3			
2			4			

STD. NO. PCS2